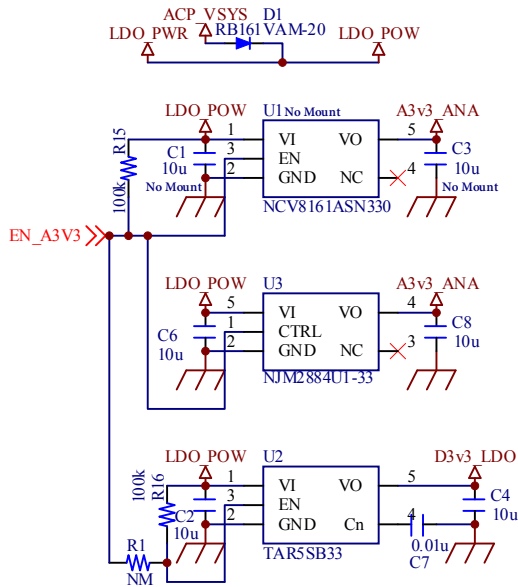
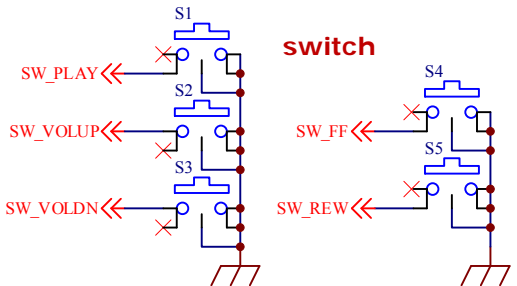
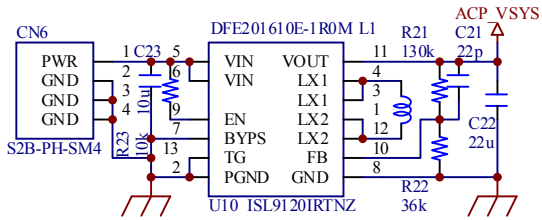


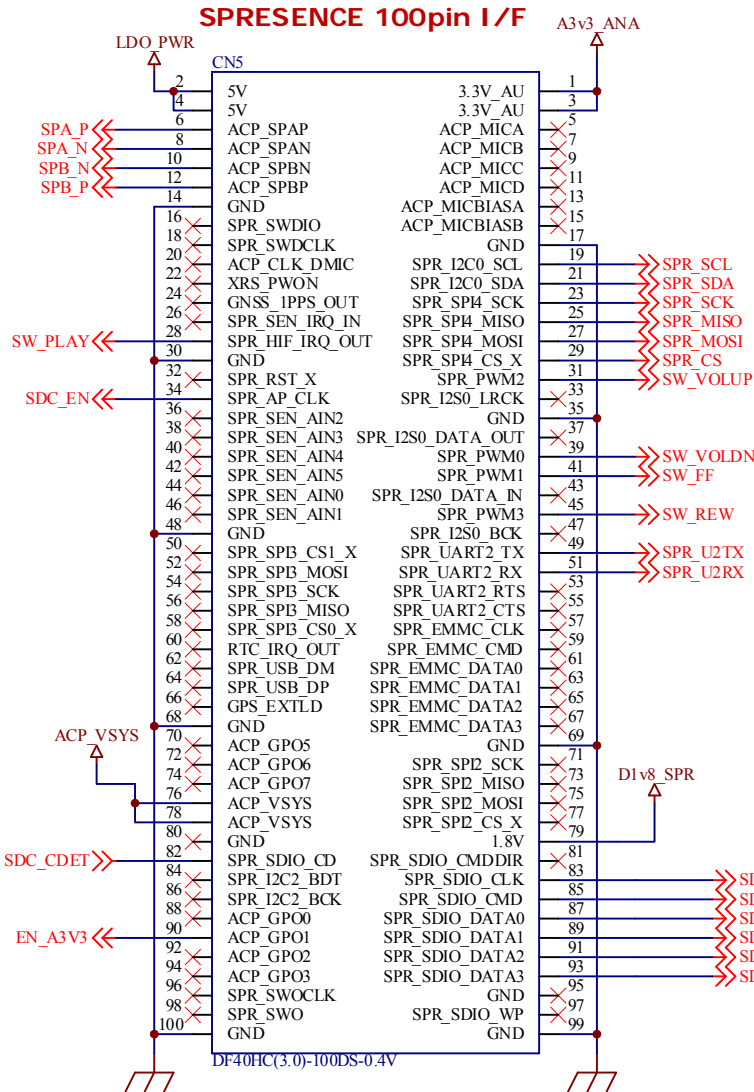
Power



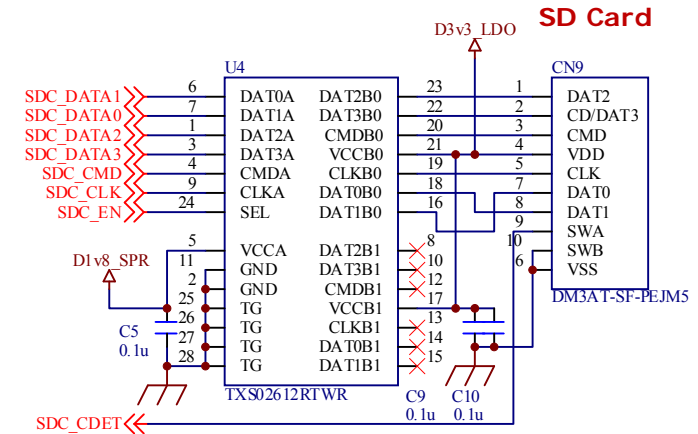
DCDC (No mount)



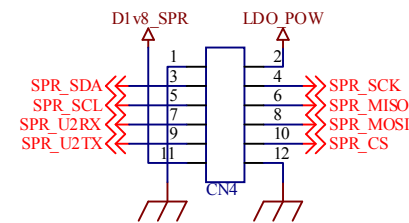
SPRESENCE 100pin I/F



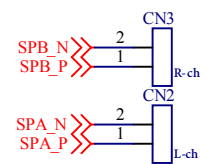
SD Card



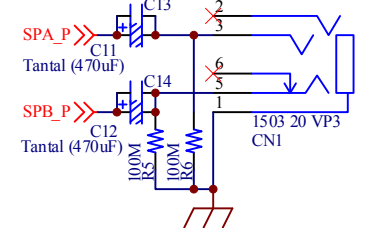
Communication (No mount)



Speaker out (No mount)



Headphone out (No mount)



Title			K-garage Audio-SPresense Interface board		
Size	Number	Revision			
A4	KASPI001	1.00			
Date:	2019/02/03	Sheet of			
File:	C:\KUNUGIGARAGE\KASPI001.SCH	Drawn By:			